

Guía Versión 2001 - B

APERAK

Application error and acknowledgement message

GS1 Guatemala

Octubre 2011

Message Structure Chart

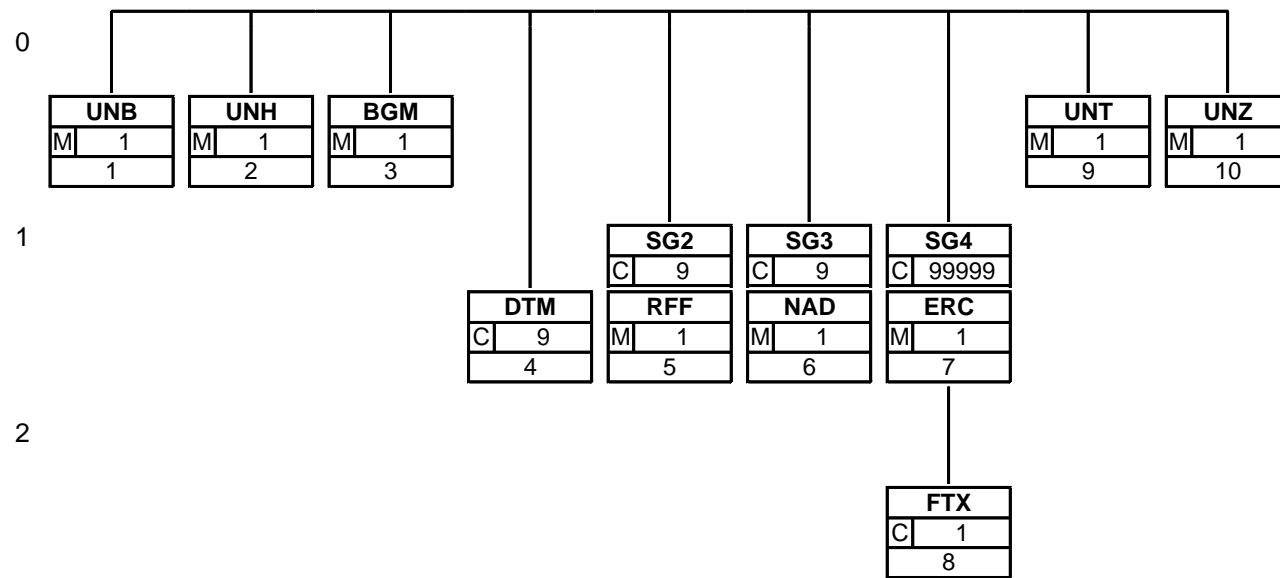
	UNB	1	M	1	- Interchange header
	UNH	2	M	1	- Message header
	BGM	3	M	1	- Beginning of message
	DTM	4	C	9	- Date/time/period
	SG2		C	9	- RFF
┌	RFF	5	M	1	- Reference
└	SG3		C	9	- NAD
┌	NAD	6	M	1	- Name and address
└	SG4		C	99999	- ERC-FTX
┌	ERC	7	M	1	- Application error information
└	FTX	8	C	1	- Free text
	UNT	9	M	1	- Message trailer
	UNZ	10	M	1	- Interchange trailer

St = Status

EDIFACT: M=Mandatory, C=Conditional

User specific: R=Required, O=Optional, D=Dependent, A=Advised, N=Not used, X=Not used

Branching Diagram



Status: M=Mandatory, C=Conditional, R=Required, O=Optional, D=Dependent, A=Advised, N=Not used, X=Not used

Segment number: 1

EDIFACT			EAN		
Tag	Name	St/Format	St	*	Usage
UNB - M 1 - Interchange header					
Function: To identify an interchange.					
Notes: 1. S001/0002, shall be '4' to indicate this version of the syntax. 2. The combination of the values carried in data elements S002, S003 and 0020 shall be used to identify uniquely the interchange, for the purpose of acknowledgement.					
S001	SYNTAX IDENTIFIER	M	M		
0001	Syntax identifier	M a4	M		UNOA UN/ECE nivel = A
0002	Syntax version number	M an1	M		3 = Version de la = sintaxis ISO 9735
S002	INTERCHANGE SENDER	M	M		
0004	Interchange sender identification	M an..35	M		= GLN del proveedor
0007	Identification code qualifier	C an..4	C		14 = GS1
S003	INTERCHANGE RECIPIENT	M	M		
0010	Interchange recipient identification	M an..35	M		= GLN del Detallista
0007	Identification code qualifier	C an..4	C		
S004	DATE AND TIME OF PREPARATION	M	M		
0017	Date	M n8	M		
0019	Time	M n4	M		
0020	Interchange control reference	M an..14	M		= Corelativo de control. Donde "z" es un valor numérico que debe coincidir con el segmento UNZ
Segment Notes: UNB+UNOA:3+7407100012347:14+7407100543216:14+20111017:1153+z'					

* = Restricted Codes

St = Status
EDIFACT: M=Mandatory, C=Conditional
User specific: R=Required, O=Optional, D=Dependent,
A=Advised, N=Not used, X=Not used

Segment number: 2

EDIFACT			EAN		
Tag	Name	St/Format	St	*	Usage
0062	Message reference number	M an..14	M		= Corelativo de grupo de mensaje. Donde "y" es un valor numérico que debe coincidir con segmento UNT
S009	MESSAGE IDENTIFIER	M	M		
0065	Message type	M an..6	M		APERAK = Application error and acknowledgement message
0052	Message version number	M an..3	M		D = Draft version/UN/EDIFACT Directory
0054	Message release number	M an..3	M		01B = Release 2001 - B
0051	Controlling agency, coded	M an..3	M		UN = UN/CEFACT
0057	Association assigned code	C an..6	C		EAN001 = GS1 version control number (GS1 Code)

Function:
A service segment starting and uniquely identifying a message. The message type code for the Application error and acknowledgement message is APERAK.

Note:
Application error and acknowledgement messages conforming to this document must contain the following data in segment UNH, composite S009:

Data element 0065 APERAK
0052 D
0054 01B
0051 UN

Segment Notes:
UNH+y+APERAK:D:01B:UN:EAN001'

* = Restricted Codes

St = Status
EDIFACT: M=Mandatory, C=Conditional
User specific: R=Required, O=Optional, D=Dependent,
A=Advised, N=Not used, X=Not used

Segment number: 3

BGM - M 1 - Beginning of message					
Function: A segment to indicate the type and function of the message and to transmit the identifying number.					
EDIFACT			EAN		
Tag	Name	St/Format	St	*	Usage
C002	DOCUMENT/MESSAGE NAME	C	C		
1001	Document name code	C an..3	C		231 = Purchase order response
C106	DOCUMENT/MESSAGE IDENTIFICATION	C	C		
1004	Document identifier	C an..35	C		= Numero de documento (0001 = numero de respuesta de la orden.)
1225	Message function code	C an..3	C		9 = Original
4343	Response type code	C an..3	C		AP = Accepted RE = Rejected PE = Pending (GS1 Code)
Segment Notes: BGM+231+00001+9+PE'					

* = Restricted Codes

St = Status
 EDIFACT: M=Mandatory, C=Conditional
 User specific: R=Required, O=Optional, D=Dependent,
 A=Advised, N=Not used, X=Not used

Segment number: 4

DTM - C 9 - Date/time/period					
Function: A segment to specify related date/time.					
EDIFACT			EAN		
Tag	Name	St/Format	St	*	Usage
C507	DATE/TIME/PERIOD	M	M		
2005	Date or time or period function code qualifier	M an..3	M		137 = Document/message date/time 4 = Order date/time 9 = Processing date/time
2380	Date or time or period value	C an..35	C		
2379	Date or time or period format code	C an..3	C		203 = CCYYMMDDHHMM 102 = CCYYMMDD
Segment Notes: DTM+137:201110171500:203'					

* = Restricted Codes

St = Status
 EDIFACT: M=Mandatory, C=Conditional
 User specific: R=Required, O=Optional, D=Dependent,
 A=Advised, N=Not used, X=Not used

Segment number: 5

SG2	- C	9 - RFF
RFF	- M	1 - Reference
Function:		
A segment to indicate the reference number of the document/message.		
EDIFACT		EAN
Tag	Name	St/Format
C506	REFERENCE	M
1153	Reference code qualifier	M an..3
1154	Reference identifier	C an..70
St * Usage M M C		
POR = Purchase order response number ON = Order number (buyer) PW = Prior purchase order number ACL = Principal reference number = Numero de Documento		
Segment Notes:		
RFF+POR:123456'		

* = Restricted Codes

St = Status
 EDIFACT: M=Mandatory, C=Conditional
 User specific: R=Required, O=Optional, D=Dependent,
 A=Advised, N=Not used, X=Not used

Segment number: 6

SG3 - C 9 - NAD					
NAD - M 1 - Name and address					
Function: A segment to specify the identification of the message issuer and message receiver.					
EDIFACT			EAN		
Tag	Name	St/Format	St	*	Usage
3035	Party function code qualifier	M an..3	M		BY = Buyer SE = Seller
C082	PARTY IDENTIFICATION DETAILS	C	C		
3039	Party identifier	M an..35	M		= GLN de la organizacion
Segment Notes: NAD+BY+7407100543216'					

* = Restricted Codes

St = Status
EDIFACT: M=Mandatory, C=Conditional
User specific: R=Required, O=Optional, D=Dependent,
A=Advised, N=Not used, X=Not used

Segment number: 7

SG4 - C 99999 - ERC-FTX					
ERC - M 1 - Application error information					
Function:					
A segment identifying the type of application error or acknowledgement within the referenced message. In case of an error, the error code may specify the error in detail (e.g. a measurement relating to a piece of equipment is wrong) or as a rough indication (e.g. a measurement is wrong).					
EDIFACT			EAN		
Tag	Name	St/Format	St	*	Usage
C901	APPLICATION ERROR DETAIL	M	M		
9321	Application error code	M an..8	M		= 0: Error no identificado
1131	Code list identification code	C an..17	C		ZZZ = Mutually defined
Segment Notes:					
ERC+0:ZZZ'					

* = Restricted Codes

St = Status
 EDIFACT: M=Mandatory, C=Conditional
 User specific: R=Required, O=Optional, D=Dependent,
 A=Advised, N=Not used, X=Not used

Segment number: 8

SG4	- C	99999	-	ERC-FTX
FTX	- C	1	-	Free text
<p>Function:</p> <p>A segment to provide explanation and/or supplementary information related to the specified application error or acknowledgement. For example, the explanation may provide exact details relating to a generic error code.</p>				
EDIFACT			EAN	
Tag	Name	St/Format	St	* Usage
4451	Text subject code qualifier	M an..3	M	AAO = Error description (free text)
4453	Free text function code	C an..3	C	1 = Text for subsequent use
C107	TEXT REFERENCE	C	N	
4441	Free text value code	M an..17	N	
C108	TEXT LITERAL	C	C	
4440	Free text value	M an..512	M	
<p>Segment Notes:</p> <p>FTX+AAO+1++Esta es la descripcion libre del error'</p>				

* = Restricted Codes

St = Status
 EDIFACT: M=Mandatory, C=Conditional
 User specific: R=Required, O=Optional, D=Dependent,
 A=Advised, N=Not used, X=Not used

Segment number: 9

UNT - M 1 - Message trailer					
Function: A service segment ending a message, giving the total number of segments in the message (including the UNH & UNT) and the control reference number of the message.					
EDIFACT			EAN		
Tag	Name	St/Format	St	*	Usage
0074	Number of segments in a message	M n..10	M		= número de segmentos en el bloque
0062	Message reference number	M an..14	M		= Donde "y" es un valor numérico que debe coincidir con segmento UNH
Segment Notes: UNT+8+y'					

* = Restricted Codes

St = Status
 EDIFACT: M=Mandatory, C=Conditional
 User specific: R=Required, O=Optional, D=Dependent,
 A=Advised, N=Not used, X=Not used

Segment number: 10

UNZ - M 1 - Interchange trailer					
Function: To end and check the completeness of an interchange.					
Notes: 1. 0020, the value shall be identical to the value in 0020 in the corresponding UNB segment.					
EDIFACT			EAN		
Tag	Name	St/Format	St	*	Usage
0036	Interchange control count	M n..6	M		= Contador de grupos de mensajes. Valor numérico.
0020	Interchange control reference	M an..14	M		Donde "z" es un valor = numérico que debe coincidir con segmento UNB
Segment Notes: UNZ+1+z'					

* = Restricted Codes

St = Status
EDIFACT: M=Mandatory, C=Conditional
User specific: R=Required, O=Optional, D=Dependent,
A=Advised, N=Not used, X=Not used

Message structure sample:

No	Tag	Example
01	UNB	UNB+UNOA:3+7407100012347:14+7407100543216:14+20111017:1153+z'
02	UNH	UNH+y+APERAK:D:01B:UN:EAN001'
03	BGM	BGM+231+00001+9+PE'
04	DTM	DTM+137:201110171500:203'
	SG2	
05	RFF	RFF+POR:123456'
	SG3	
06	NAD	NAD+BY+7407100543216'
	SG4	
07	ERC	ERC+0:ZZZ'
08	FTX	FTX+AAO+1++Esta es la descripcion libre del error'
09	UNT	UNT+8+y'
10	UNZ	UNZ+1+z'

No = Consecutive segment number

APERAK2001B_7407100012347_9876_7407100543216_333.edi

GS1 Guatemala

Octubre 2011

0 UNB+UNOA:3+7407100012347:14+7407100543216:14+20111017:1153+333'
1 UNH+4444+APERAK:D:01B:UN:EAN001'
2 BGM+231+00001+9+PE'
3 DTM+137:201110171500:203'
4 RFF+POR:123456'
5 DTM+4:20111017:102'
6 RFF+ON:9876'
7 NAD+BY+7407100543216'
8 NAD+SE+7407100012347'
9 ERC+0:ZZZ'
10 FTX+AAO+1++Esta es la descripcion libre del error'
11 UNT+11+4444'
12 UNZ+1+333'

Mario Chavez

GS1 Guatemala

18 Calle 24-69 Zona 10 Zona 10, Zona Pradera

T: (502) 2245-9595

www.gs1gt.org